

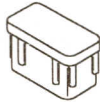
TRIM-LINE® Boltless Shelving Assembly Instructions

Load Capacities	Maximum Evenly Distributed Static Load Per Pair Of Connectors					
	36" 0.91m	39 1/2" 1.00m	48" 1.22m	60" 1.52m	66" 1.68m	72" 1.83m
4 Shelf Clips & one Metal 20ga. Shelf	350 lb 159 kg	290 lb 132 kg	200 lb 91 kg	---	---	---
TFCV	390 lb 177 kg	350 lb 159 kg	290 lb 132 kg	---	---	---
TBC	600 lb 272 kg	550 lb 249 kg	500 lb 227 kg	---	---	---
TWB	---	---	---	570 lb 259 kg	470 lb 213 kg	395 lb 179 kg
TWB with one Combination Tie Bar	---	---	---	1,200 lb 544 kg	1,000 lb 454 kg	800 lb 363 kg

SAFE WORKING LOADS OF UP TO 7,000 lbs (3,175 kgs) PER PAIR OF POST OR BAY OF SHELVING.

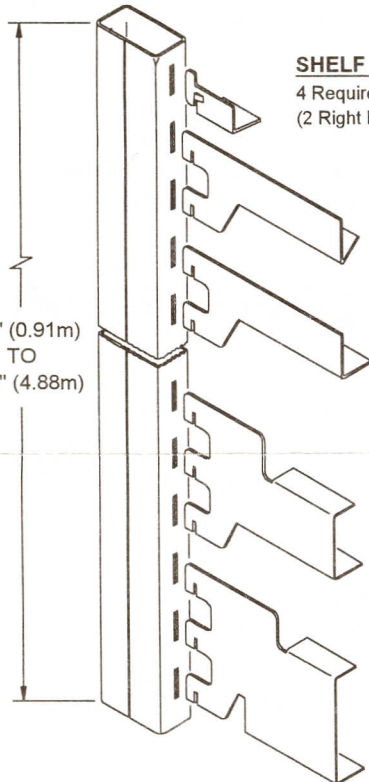
SAFETY FACTOR OF 1.66 TO 1.00 BASED ON MIN. YIELD STATIC LOADING ONLY.

PLEASE CONTACT THE FACTORY FOR CAPACITIES NOT SHOWN IN CHART.



BLACK PLASTIC TOP OR BOTTOM CAP

Install Top Cap After Assembly



SHELF CLIPS

4 Required per shelf level
(2 Right Hand & 2 Left Hand)

TFCV FRAME CONNECTORS

Use With Particle Boards
Available Lengths: 36" (0.91m),
39 1/2" (1.00m), 48" (1.22m)

TFCL FRAME CONNECTORS

Use With Metal Shelves
Available Lengths: 36" (0.91m),
39 1/2" (1.00m), 48" (1.22m)

TBC FRAME CONNECTORS

For Heights Up To 84" (2.13m) Use At
Top & Bottom When Using Shelf Clips In
Between.
Available Lengths: 36" (0.91m),
39 1/2" (1.00m), 48" (1.22m)

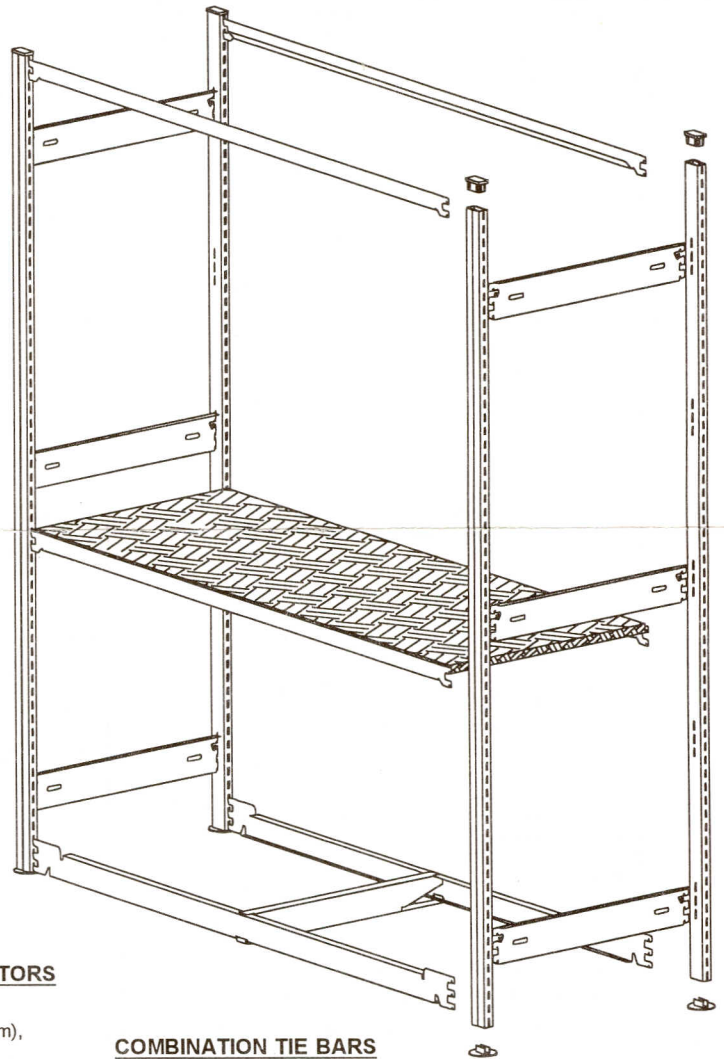
TWB FRAME CONNECTORS

Use For Long Span And As A Kickplate
Available Lengths: 60" (1.52m),
66" (1.68m), 72" (1.83m)



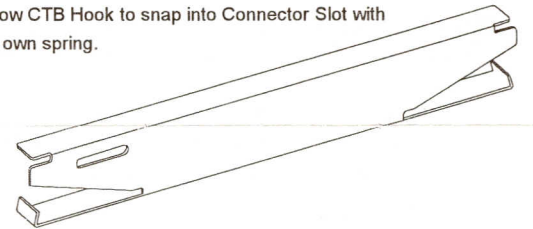
FLOOR PLATES

Use to Protect Floors



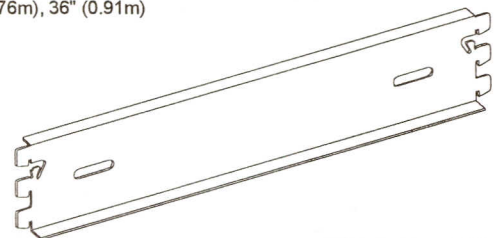
COMBINATION TIE BARS

Use With TWB Connectors
Available Depths: 18" (0.46m), 24" (0.61m), 30" (0.76m), 36" (0.91m)
Allow CTB Hook to snap into Connector Slot with
its own spring.



POST CONNECTORS

Use To Join Posts (Refer To Chart For Quantity)
Available Depths: 12" (0.30m), 15" (0.38m), 18" (0.46m), 24" (0.61m),
30" (0.76m), 36" (0.91m)



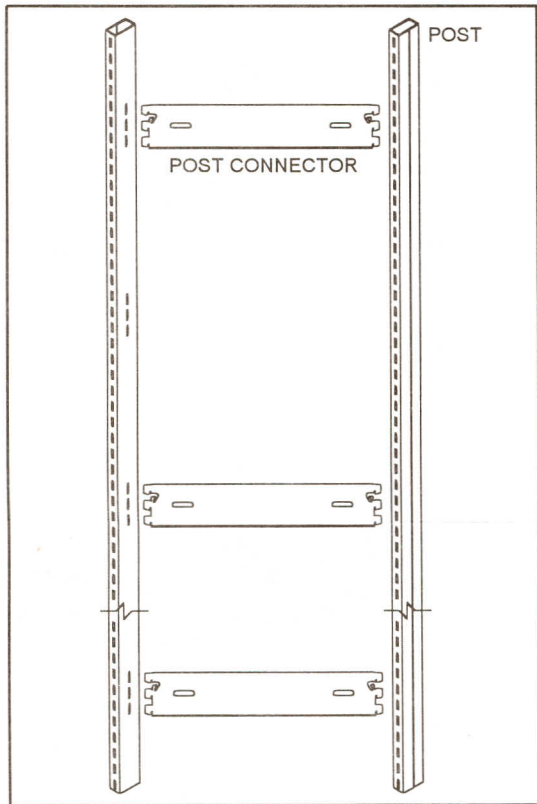
Please note load capacities & components subject to change without notice.

Manufactured by:
E-Z-RECT MANUFACTURING LTD.

Head Office:
94 Riverside Drive, North Vancouver, B.C. V7H 2M6
Fax: (604) 929-5184 Telephone: (604) 929-5461

Eastern Division:
7025 Tomken Rd., Units 9-12, Mississauga, Ont. L5S 1R6
Fax: (905) 564-0953 Telephone: (905) 564-0890

TRIM-LINE® Boltless Shelving Assembly Instructions



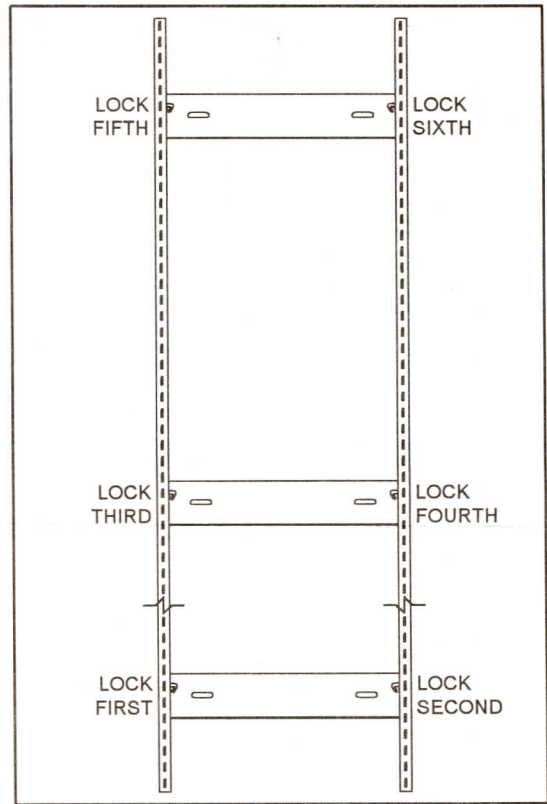
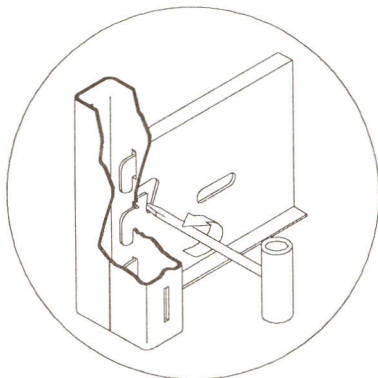
STEP ONE

Place post flat on the ground so that Post Connector slots are on the inside and the seam is on the outside. Post Connector slots are adjustable every 12" (305mm). Arrange Post Connectors at desired location, normally evenly spaced, with one always at top and bottom of post.

POST CONNECTORS - IMPORTANT TO LOCK

Post connector tabs **MUST** be locked for safety. Post can be unlocked and relocked 4 to 6 times safely. Use a 1/4" or a 3/8" screwdriver or chainsaw wrench to lock connectors. Assembly time is approximately 2 minutes per 7' (2134mm) frame.

CDN PATENTED 1991
USA PATENT #5082388
EUROPEAN PATENT #0,572,447 (BELGIUM, FRANCE, GERMANY, SPAIN, UNITED KINGDOM)



STEP TWO

Starting from the bottom tap in one side of the Post Connector and LOCK IMMEDIATELY. Then tap in and lock the other side. The post may have to be spread slightly as you work your way up the post.

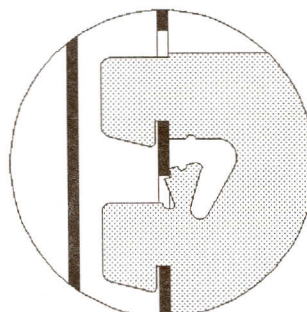
NUMBER OF POST CONNECTORS REQ'D:

Post Height	Post Connectors Required
60" (1.52m),	2
72" (1.83m), 84" (2.13m),	3
96" (2.44m), 108" (2.74m),	4
120" (3.05m)	5

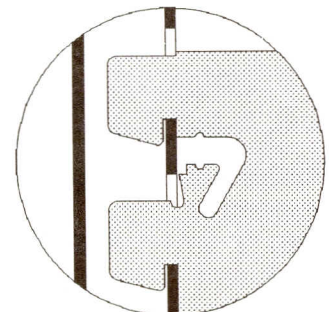
NOTE:

Please contact your sales representative or the factory direct for help on shelving assembly, seismic conditions and heights over 120" (3.05m).

LOCKED



NOT LOCKED



CAUTION - POST CONNECTORS MUST BE LOCKED FOR SAFETY.