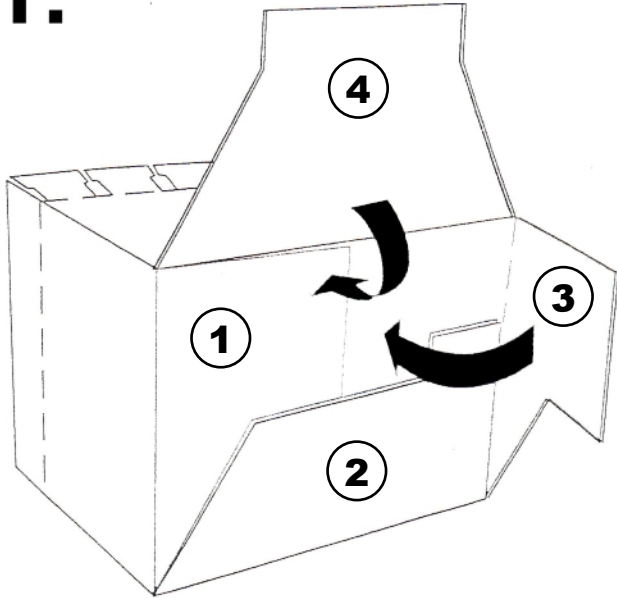


LEVER ARCH BOX FILE

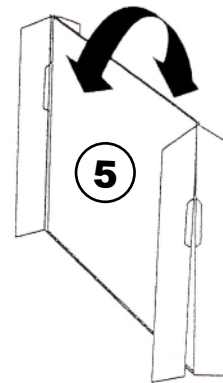
Assembly Instructions



1.

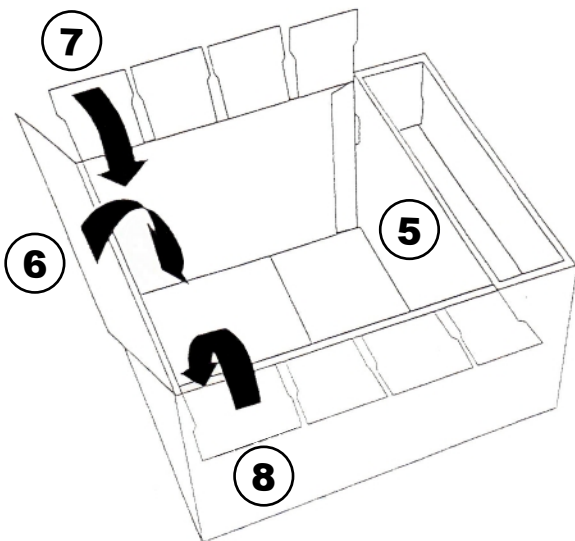


2.



Dividers x 4

3.



4.

