



## Longspan Shelving - Assembly Instructions

Heavy duty Longspan shelving is designed for large and bulky items providing large shelf openings for practical storage. Goods should be hand loaded only, Longspan is not suitable for use with fork lift trucks or other types of manual handling equipment.

Average build time: 10 - 15 mins per bay (requires two people).

Tools required: 2 x 13mm/adjustable spanners and a rubber mallet

**Step 1** – Build end frames as per relevant drawing attached

**Step 2** – Stand built end frames upright and support vertically

**Step 3** – Locate beams into slots in upright in the required position starting at the bottom

**Step 4** – Fit remaining beams to create shelf heights as required

**Step 5** – Locate safety pins into the holes at the end of each beam to prevent dislodgement.

**Step 6** – Locate shelves onto beams using the correct number of shelf supports as shown below.

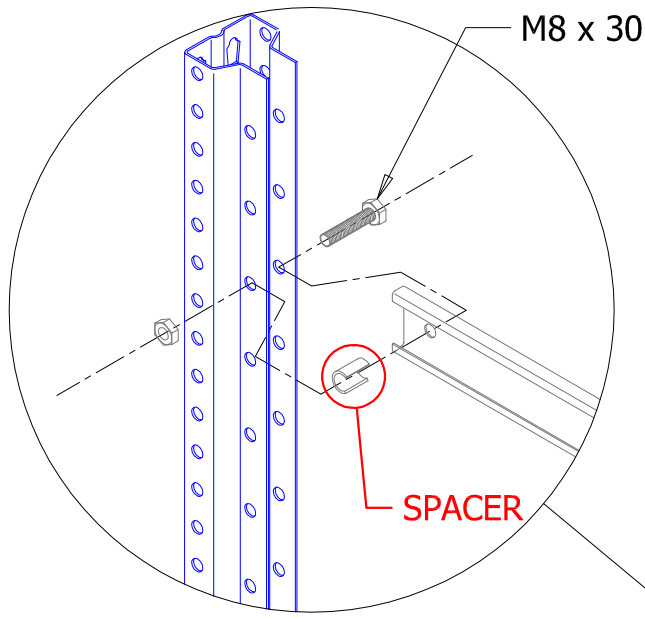
**Step 7** – Align bays and shim as required to ensure that bays are vertical and horizontal.

**Step 8** – Fix to floor or wall if required according to the 5:1 height to depth ratio.

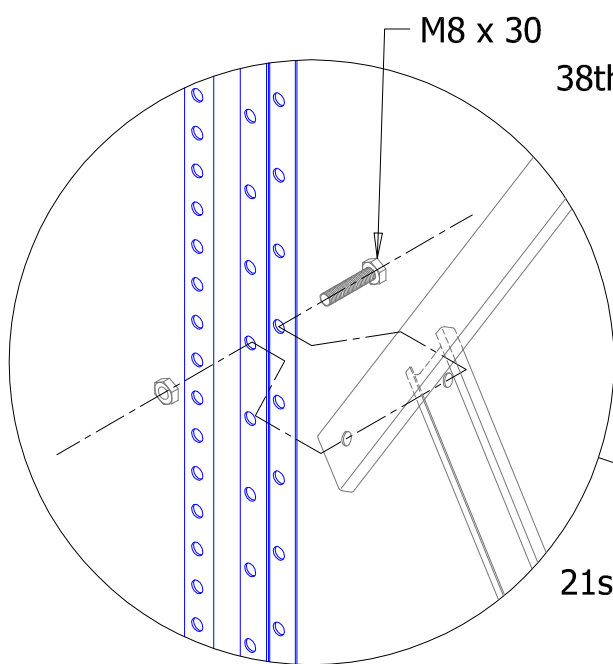


Shelf Width (mm)	Shelf Depth (mm)	No. Shelf Supports
950	600	0
950	900	2
950	1200	2
1500	600	0
1500	900	2
1500	1200	3
1800	600	0
1800	900	2
1800	1200	3
2250	600	1
2250	900	3
2250	1200	4
2400	600	1
2400	900	3
2400	1200	4

**Important Safety Notes:** Assembly requires a minimum of 2 people, please ensure that health and safety procedures are in place and that suitable PPE is used. Risk assessments and method statements may be required for sites operating CDM. Load signs are available and should be used to notify operators of the safe working loads.



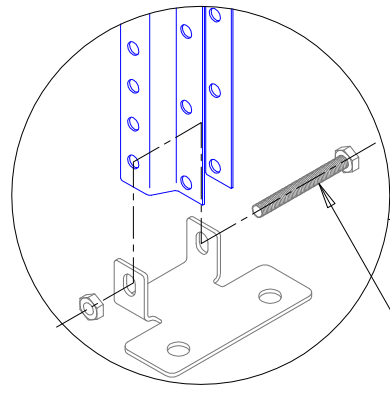
COMPONENT	QTY.
POST	2
HORIZONTAL BRACE	2
DIAGONAL BRACE	2
FOOT	2
SPACER	2
BOLT M8 x 30	5
BOLT M8 x 65	2
NUT M8	7



38th Hole

38th Hole

21st Hole



4th Hole

M8 x 65

4th Hole

FRAME DEPTH	HORIZONTAL	DIAGONAL
600mm	565mm	1039mm
900mm	865mm	1224mm
1200mm	1165mm	1450mm

REV. A

DO NOT SCALE

PROJECT

**ASSEMBLY DETAILS FOR 2000mm HIGH LONGSPAN FRAME**

**E-Z-SHELVING**  
 E-Z-RECT LTD  
 WITAN PARK, AVENUE TWO, STATION LANE,  
 WITNEY, OXON. OX28 4FH  
 TEL: 01993 779494  
 FAX: 01993 704111  
 www.ezshelving.com

THIS DRAWING (AND ANY ACCOMPANYING SPECIFICATION) IS THE PROPERTY OF E-Z-RECT LIMITED T/A EZRSHELVING AND MUST NOT BE REPRODUCED IN ANY MANNER, IN WHOLE, IN PART OR IN CONCEPT WITHOUT PERMISSION

DO NOT SCALE

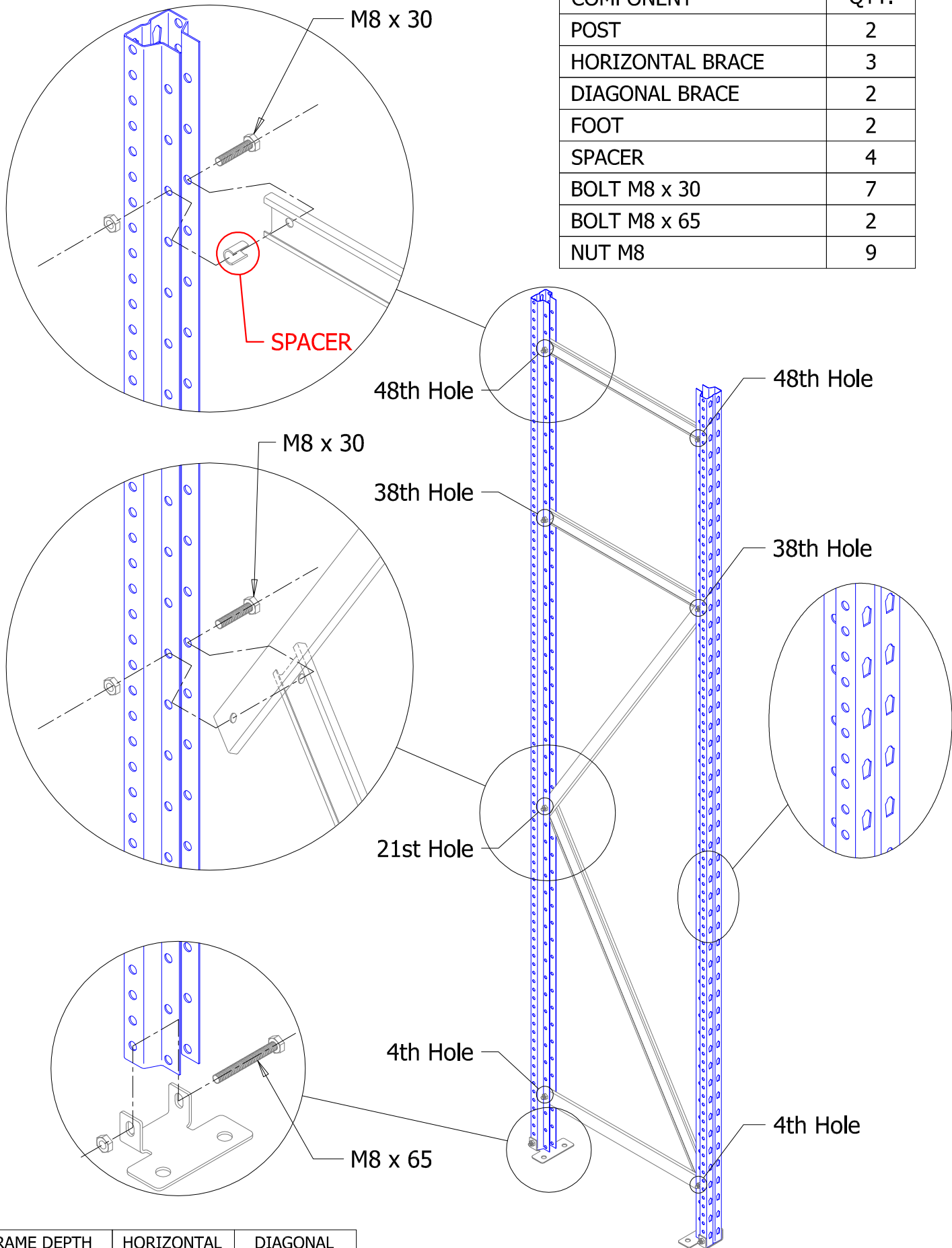
DRAWN	DATE	SCALE
DA	02/01/2014	NTS

TITLE

**FRAME BUILD DETAILS**

DRG. No. **EZAL-FRAY-20** REV

COMPONENT	QTY.
POST	2
HORIZONTAL BRACE	3
DIAGONAL BRACE	2
FOOT	2
SPACER	4
BOLT M8 x 30	7
BOLT M8 x 65	2
NUT M8	9



FRAME DEPTH	HORIZONTAL	DIAGONAL
600mm	565mm	1039mm
900mm	865mm	1224mm
1200mm	1165mm	1450mm

REV. A

DO NOT SCALE

PROJECT

**ASSEMBLY DETAILS FOR 2500mm HIGH LONGSPAN FRAME**

**EZR SHELVING**  
 E-Z-RECT LTD  
 WITAN PARK, AVENUE TWO, STATION LANE,  
 WITNEY, OXON. OX28 4FH  
 TEL: 01993 779494  
 FAX: 01993 704111  
 www.ezrshelving.com

THIS DRAWING (AND ANY ACCOMPANYING SPECIFICATION) IS THE PROPERTY OF E-Z-RECT LIMITED T/A EZRSHELVING AND MUST NOT BE REPRODUCED IN ANY MANNER, IN WHOLE, IN PART OR IN CONCEPT WITHOUT PERMISSION

DO NOT SCALE

DRAWN	DATE	SCALE
DA	02/01/2014	NTS

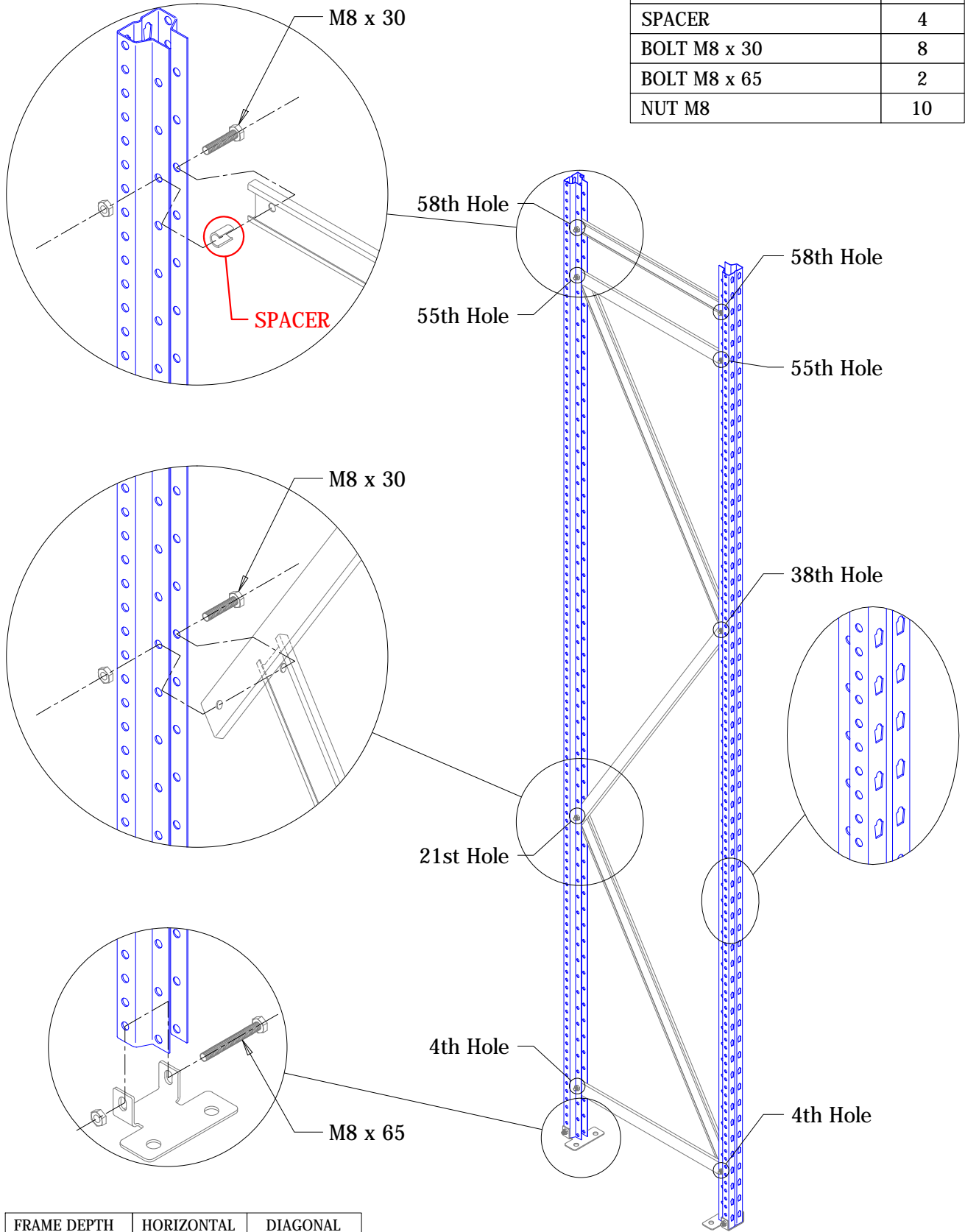
TITLE

FRAME BUILD DETAILS

DRG. No. EZAL-FRAY-25

REV

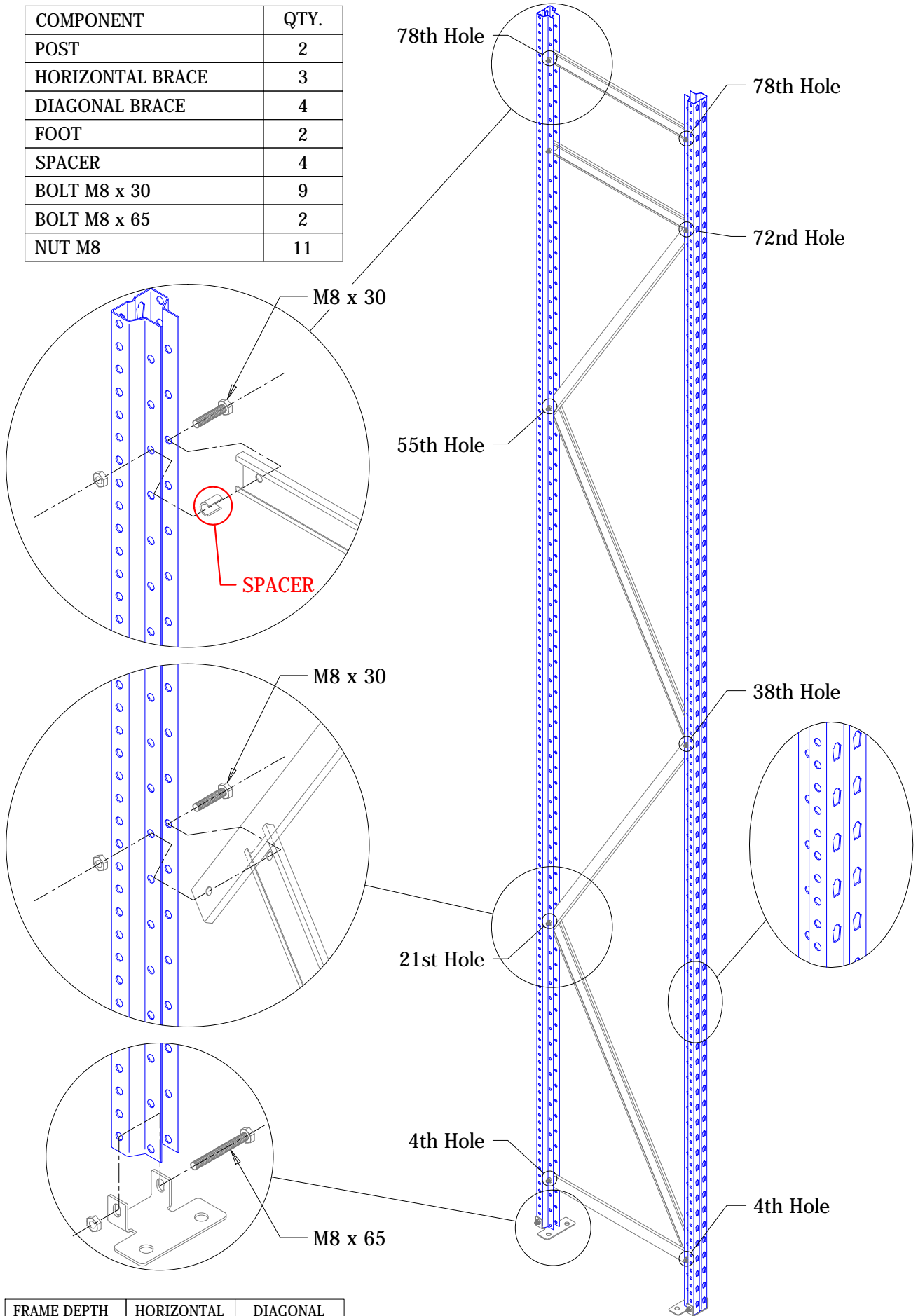
COMPONENT	QTY.
POST	2
HORIZONTAL BRACE	3
DIAGONAL BRACE	3
FOOT	2
SPACER	4
BOLT M8 x 30	8
BOLT M8 x 65	2
NUT M8	10



FRAME DEPTH	HORIZONTAL	DIAGONAL
600mm	565mm	1039mm
900mm	865mm	1224mm
1200mm	1165mm	1450mm

REV. A	DO NOT SCALE				<small>THIS DRAWING (AND ANY ACCOMPANYING SPECIFICATION) IS THE PROPERTY OF E-Z-RECT LIMITED T/A EZSHELIVING AND MUST NOT BE REPRODUCED IN ANY MANNER, IN WHOLE, IN PART OR IN CONCEPT WITHOUT PERMISSION</small>
PROJECT	ASSEMBLY DETAILS FOR 3000mm HIGH LONGSPAN FRAME		<small>WITAN PARK, AVENUE TWO, STATION LANE, WITNEY, OXON. OX28 4FH TEL: 01895 779494 FAX: 01895 704111 www.ezshelving.com</small>		
<small>DO NOT SCALE</small>			<small>DO NOT SCALE</small>		<small>SCALE</small> NTS
<small>DRAWN</small> DA		<small>DATE</small> 02/01/2014		<small>SCALE</small> NTS	
<small>TITLE</small> FRAME BUILD DETAILS					
<small>DRG. No.</small> EZAL-FRAY-30					

COMPONENT	QTY.
POST	2
HORIZONTAL BRACE	3
DIAGONAL BRACE	4
FOOT	2
SPACER	4
BOLT M8 x 30	9
BOLT M8 x 65	2
NUT M8	11



FRAME DEPTH	HORIZONTAL	DIAGONAL
600mm	565mm	1039mm
900mm	865mm	1224mm
1200mm	1165mm	1450mm

REV. A	DO NOT SCALE		THIS DRAWING (AND ANY ACCOMPANYING SPECIFICATION) IS THE PROPERTY OF E-Z-RECT LIMITED T/A EZSHELVING AND MUST NOT BE REPRODUCED IN ANY MANNER, IN WHOLE, IN PART OR IN CONCEPT WITHOUT PERMISSION	
PROJECT	DO NOT SCALE		DATE	SCALE
ASSEMBLY DETAILS FOR 4000mm HIGH LONGSPAN FRAME		DA		02/01/2014
E-Z-RECT LTD		TITLE		NTS
WITAN PARK, AVENUE TWO, STATION LANE, WITNEY, OXON, OX28 4FH		FRAME BUILD DETAILS		
TEL: 01895 779494		DRG. No.		EV
FAX: 01895 704111		EZAL-FRAY-40		
www.ezshelving.com				



E-Z-RECT LTD  
WITAN PARK, AVENUE TWO, STATION LANE,  
WITNEY, OXON, OX28 4FH  
TEL: 01895 779494  
FAX: 01895 704111  
www.ezshelving.com

## Longspan Shelving Locking Pin Installation

To ensure beams stay securely in place, you must install a locking clip into each end of every beam used (every shelf level requires 4 locking pins)

Once the beam is located at the correct level and firmly inserted into the tapered post holes, the small hole in the beam indicated below will line up with a matching hole in the post.

This will allow the 'S' shaped locking pin to be inserted (thin end first) until the head stops against the orange beam.

Please ensure that all locking clips are correctly installed before use.

