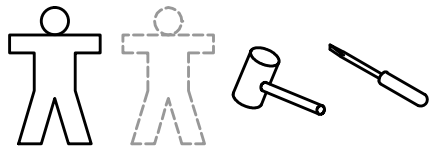
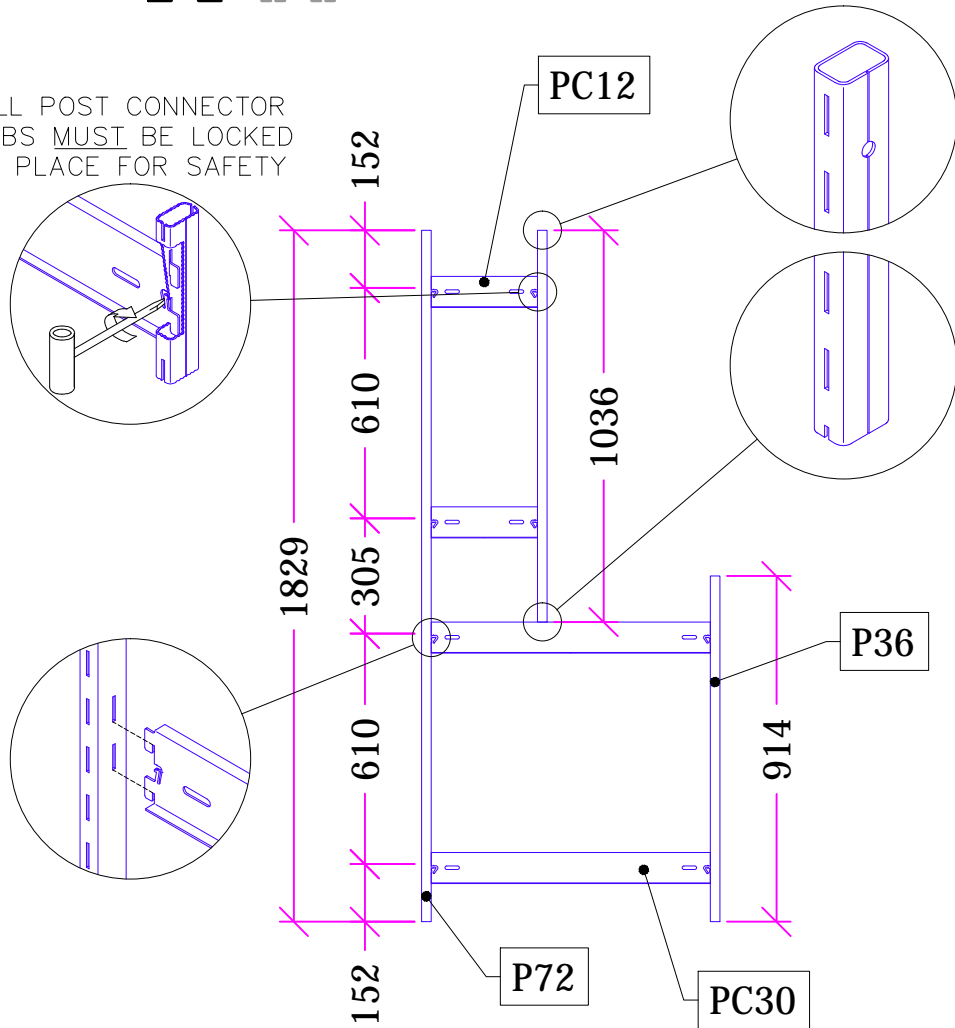


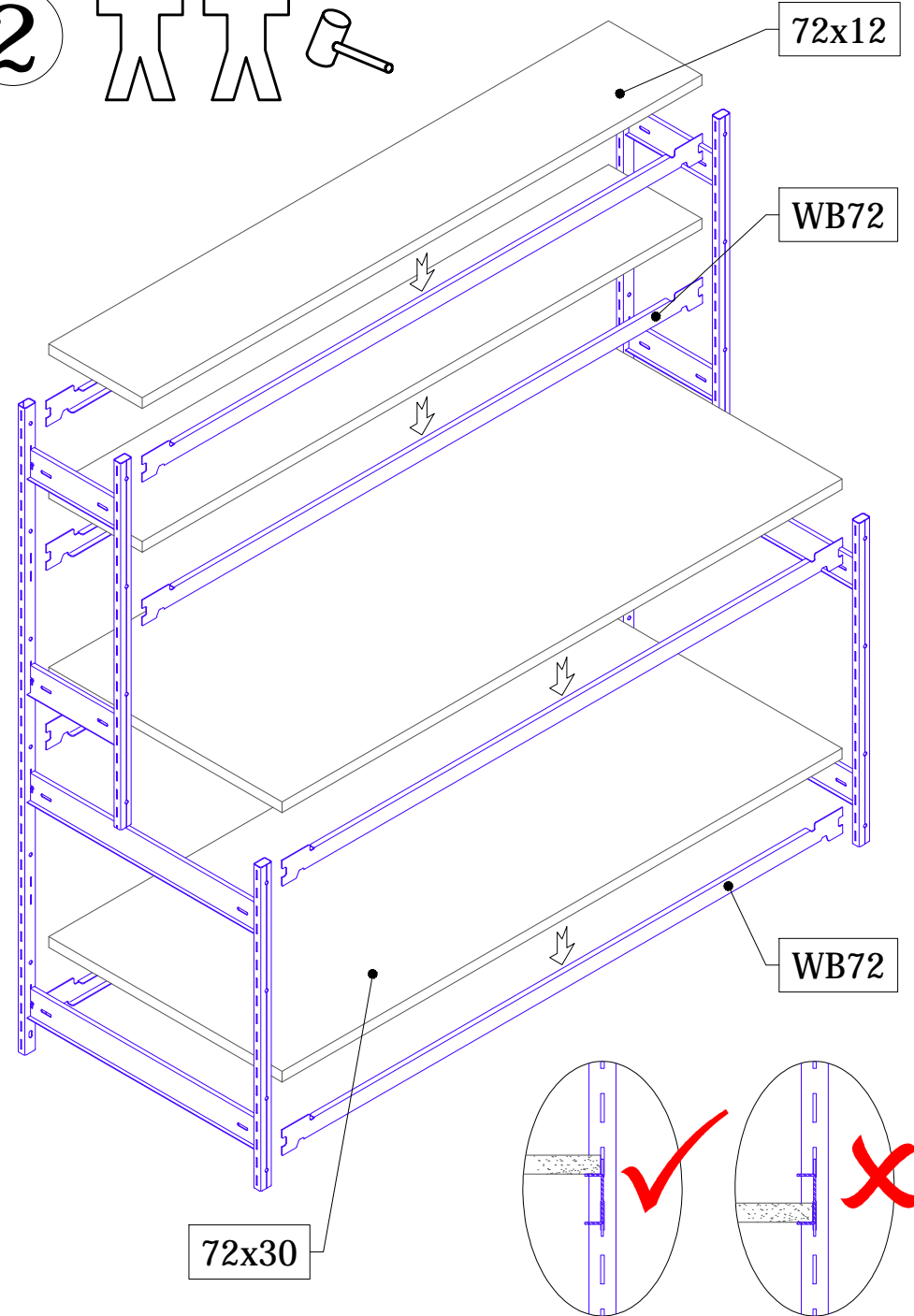
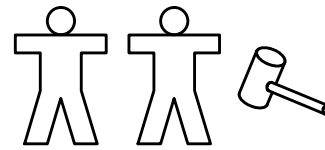
1



ALL POST CONNECTOR TABS MUST BE LOCKED IN PLACE FOR SAFETY



2



**ASSEMBLY INSTRUCTIONS for TYPE 1 HEAVY DUTY WORKSTATION - T1HDWSTATION**



E-Z-RECT LTD. trading as EZR SHELVING  
 WITAN PARK, AVENUE TWO, STATION LANE, WITNEY,  
 OXON. OX28 4FH  
 TEL: 01993 779494 FAX: 01993 704111  
 www.ezrshelving.com